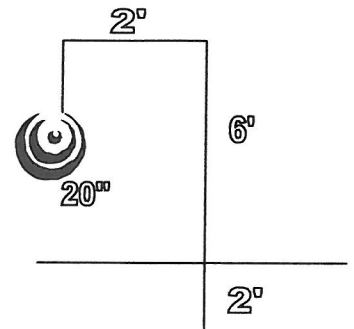


## YELLOW FLY TRAP

The yellow fly trap is an inexpensive, easily constructed glue trap that passively collects yellow flies. It may ultimately reduce the number of biting flies that create problems for you, especially if you live in the vicinity of a fly breeding area. ***The trap will not capture all of your yellow flies, nor will it prevent bites.*** It is a passive collector.

### Materials:

- 20" inflatable beach ball (available at Wal-Mart, Kmart)
- 10' of ¾" PVC or 10' of 1" x 2" wood strip.
- Gloss black spray paint
- String
- Glue (available at the district)



### Construction:

Inflate the beach ball. Assemble the inverted L-shaped stand as shown using the PVC or wood strips. The upright portion of the stand is 6' high with 2' inserted into the ground. The remaining 2' serve as the right-angled support. The ball may also be hung from a tree, but beneath the canopy.

Paint the ball glossy black and allow the paint to completely dry. Tie the string to the inflation tube on the ball and suspend it from the angled support or tree branch. Snip corner from the plastic glue bag and squeeze the contents on the top of the ball. Wearing disposable plastic gloves, or using a paintbrush, spread the glue evenly over the ball. Avoid skin contact. Use mineral spirits to remove any glue that inadvertently contacts the skin.

### Trap Location:

The glue ball should be located along tree line to take advantage of the yellow flies' preference for shade. Balls hung in the open will not collect as effectively as balls in the shade.

### Trap Timing:

Yellow flies emerge early in May and are gone by mid-June. This is the appropriate time for trapping. Once the nuisance has decreased, the trap should be removed. Do this by puncturing the ball with a sharp object, then carefully sliding the ball into a plastic garbage bag. Dispose of the bag as you would household waste.

### Be Realistic:

The glue ball collects passively. When a food source (you) is nearby, the flies will go for the food not the decoy. When flies are at a peak, avoid being outside without repellants or appropriate clothing.